

**Energia**<sup>®</sup>  
**italy** sistemi di autogas

*Ultimate choice for your Vehicle*

# ABOUT US

## Who we are

We are a leading supplier of LPG/CNG/LNG Conversion kits and Tanks. We supply only 100% European made components for best fit installations around the world. With over 20 years' experience in the industry and having knowledge from different countries around the globe made us provide the best for our partners in the World. ENERGIA Italy network is increasing rapidly as we promise to deliver the best products and services at competitive price level.

Our headquarter located in Munich/ Germany where is the heart of Automotive industry. We develop best fit conversion kits with our R&D in Germany and most of our production activities will be held in Italy. We have combined German engineering knowledge with the Italian experience in the Gas conversion systems. We are one of the few companies who can supply all needs of Conversion centers around the globe. Our range of products cover almost 95% of the worlds total car population.

We aimed to be one of the top players in the market trusting our knowledge, experience and flexibility at work. We are young and ambitious team who target to deliver the best to its customers.

## Our Mission

We want to let people drive smarter environmental fuels that will make significant savings on their transportation budget. Our solutions create better future for the new generations.

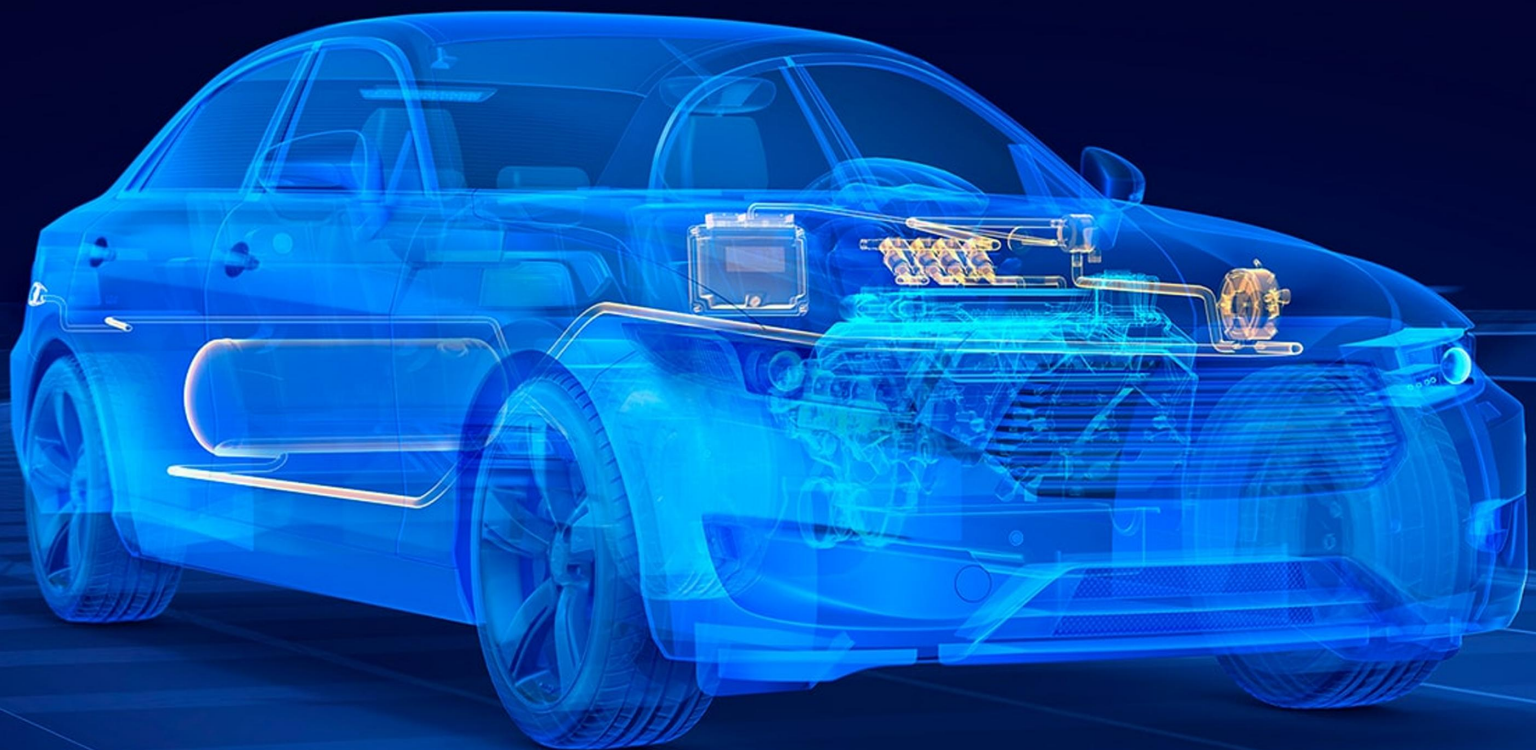
## Our Vision

Live in a sustainable energy environment.

## Our Presence

ENERGIA is available more than 20 countries and expanding to different markets rapidly. With our experiences and service minded professional team we have put quick steps in several countries. Our aim is to provide best quality systems and parts to our partners around the globe and therefore we make sure drivers having safe and quality systems in their vehicles.

*Clean Fuel Technologies..*



## INTERNAL TOROIDAL TANK



### Application

Liquid gas propane-butane mixture storage for admission of petrol engines in passenger cars, commercial and delivery vehicles.

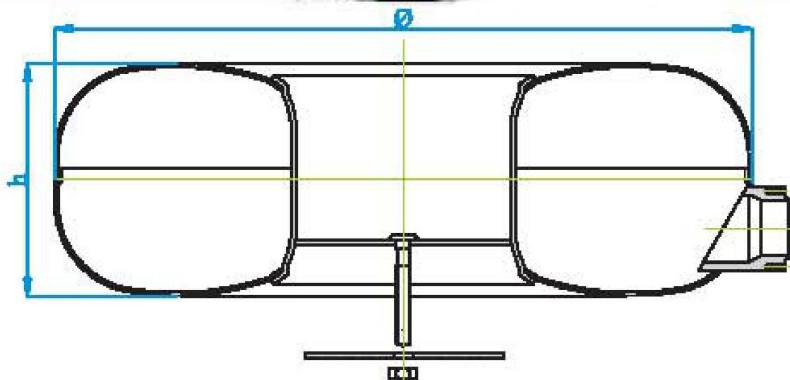
### Technical Data

Class 1  
Design and Test Pressure : 3000 kPa  
Working Pressure max. : 2550 kPa  
Sheet Data: DIN EN 10120 P265NB

## PRODUCTS LIST

Product Code	Description	Ø	H	Volume
ENR550I030	INTERNAL TORODIAL TANK	550	180	30
ENR550I034	INTERNAL TORODIAL TANK	550	200	34
ENR550I038	INTERNAL TORODIAL TANK	550	220	38
ENR550I042	INTERNAL TORODIAL TANK	550	240	42
ENR550I048	INTERNAL TORODIAL TANK	550	270	48
ENR570I033	INTERNAL TORODIAL TANK	570	180	33
ENR570I037	INTERNAL TORODIAL TANK	570	200	37
ENR570I042	INTERNAL TORODIAL TANK	570	220	42
ENR570I046	INTERNAL TORODIAL TANK	570	240	46
ENR570I053	INTERNAL TORODIAL TANK	570	270	53
ENR580I034	INTERNAL TORODIAL TANK	580	180	34
ENR580I040	INTERNAL TORODIAL TANK	580	200	40
ENR580I044	INTERNAL TORODIAL TANK	580	220	44
ENR580I050	INTERNAL TORODIAL TANK	580	240	50
ENR580I055	INTERNAL TORODIAL TANK	580	270	55
ENR600I037	INTERNAL TORODIAL TANK	600	180	37
ENR600I043	INTERNAL TORODIAL TANK	600	200	43
ENR600I047	INTERNAL TORODIAL TANK	600	220	47
ENR600I052	INTERNAL TORODIAL TANK	600	240	52
ENR600I060	INTERNAL TORODIAL TANK	600	270	60
ENR630I042	INTERNAL TORODIAL TANK	630	180	42
ENR630I048	INTERNAL TORODIAL TANK	630	200	48
ENR630I053	INTERNAL TORODIAL TANK	630	220	53
ENR630I059	INTERNAL TORODIAL TANK	630	240	59
ENR630I067	INTERNAL TORODIAL TANK	630	270	67
ENR650I045	INTERNAL TORODIAL TANK	650	180	45
ENR650I051	INTERNAL TORODIAL TANK	650	200	51
ENR650I057	INTERNAL TORODIAL TANK	650	220	57
ENR650I063	INTERNAL TORODIAL TANK	650	240	63
ENR650I072	INTERNAL TORODIAL TANK	650	270	72
ENR680I049	INTERNAL TORODIAL TANK	680	180	49
ENR680I057	INTERNAL TORODIAL TANK	680	200	57
ENR680I063	INTERNAL TORODIAL TANK	680	220	63
ENR680I070	INTERNAL TORODIAL TANK	680	240	70
ENR680I080	INTERNAL TORODIAL TANK	680	270	80
ENR720I055	INTERNAL TORODIAL TANK	720	180	55
ENR720I063	INTERNAL TORODIAL TANK	720	200	63
ENR720I070	INTERNAL TORODIAL TANK	720	220	70
ENR720I078	INTERNAL TORODIAL TANK	720	240	78
ENR720I089	INTERNAL TORODIAL TANK	720	270	89

## EXTERNAL TOROIDAL TANK



### Application

Liquid gas propane-butane mixture storage for admission of petrol engines in passenger cars, commercial and delivery vehicles.

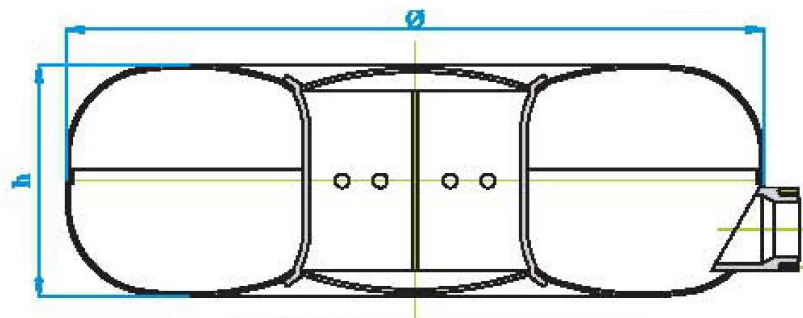
### Technical Data

Class 1  
Design and Test Pressure : 3000 kPa  
Working Pressure max. : 2550 kPa  
Sheet Data: DIN EN 10120 P285NB

## PRODUCTS LIST

Product Code	Description	Ø	H	Volume
ENR550E030	EXTERNAL TOROIDAL TANK	550	180	30
ENR550E034	EXTERNAL TOROIDAL TANK	550	200	34
ENR550E038	EXTERNAL TOROIDAL TANK	550	220	38
ENR550E042	EXTERNAL TOROIDAL TANK	550	240	42
ENR550E048	EXTERNAL TOROIDAL TANK	550	270	48
ENR570E033	EXTERNAL TOROIDAL TANK	570	180	33
ENR570E037	EXTERNAL TOROIDAL TANK	570	200	37
ENR570E042	EXTERNAL TOROIDAL TANK	570	220	42
ENR570E046	EXTERNAL TOROIDAL TANK	570	240	46
ENR570E053	EXTERNAL TOROIDAL TANK	570	270	53
ENR580E034	EXTERNAL TOROIDAL TANK	580	180	34
ENR580E040	EXTERNAL TOROIDAL TANK	580	200	40
ENR580E044	EXTERNAL TOROIDAL TANK	580	220	44
ENR580E050	EXTERNAL TOROIDAL TANK	580	240	50
ENR580E055	EXTERNAL TOROIDAL TANK	580	270	55
ENR600E037	EXTERNAL TOROIDAL TANK	600	180	37
ENR600E043	EXTERNAL TOROIDAL TANK	600	200	43
ENR600E047	EXTERNAL TOROIDAL TANK	600	220	47
ENR600E052	EXTERNAL TOROIDAL TANK	600	240	52
ENR600E060	EXTERNAL TOROIDAL TANK	600	270	60
ENR630E042	EXTERNAL TOROIDAL TANK	630	180	42
ENR630E048	EXTERNAL TOROIDAL TANK	630	200	48
ENR630E053	EXTERNAL TOROIDAL TANK	630	220	53
ENR630E059	EXTERNAL TOROIDAL TANK	630	240	59
ENR630E067	EXTERNAL TOROIDAL TANK	630	270	67
ENR650E045	EXTERNAL TOROIDAL TANK	650	180	45
ENR650E051	EXTERNAL TOROIDAL TANK	650	200	51
ENR650E057	EXTERNAL TOROIDAL TANK	650	220	57
ENR650E063	EXTERNAL TOROIDAL TANK	650	240	63
ENR650E072	EXTERNAL TOROIDAL TANK	650	270	72
ENR680E049	EXTERNAL TOROIDAL TANK	680	180	49
ENR680E057	EXTERNAL TOROIDAL TANK	680	200	57
ENR680E063	EXTERNAL TOROIDAL TANK	680	220	63
ENR680E070	EXTERNAL TOROIDAL TANK	680	240	70
ENR680E080	EXTERNAL TOROIDAL TANK	680	270	80
ENR720E055	EXTERNAL TOROIDAL TANK	720	180	55
ENR720E063	EXTERNAL TOROIDAL TANK	720	200	63
ENR720E070	EXTERNAL TOROIDAL TANK	720	220	70
ENR720E078	EXTERNAL TOROIDAL TANK	720	240	78
ENR720E089	EXTERNAL TOROIDAL TANK	720	270	89

## ULTRA TOROIDAL TANK



### Application

Liquid gas propane-butane mixture storage for admission of petrol engines in passenger cars, commercial and delivery vehicles.

### Technical Data

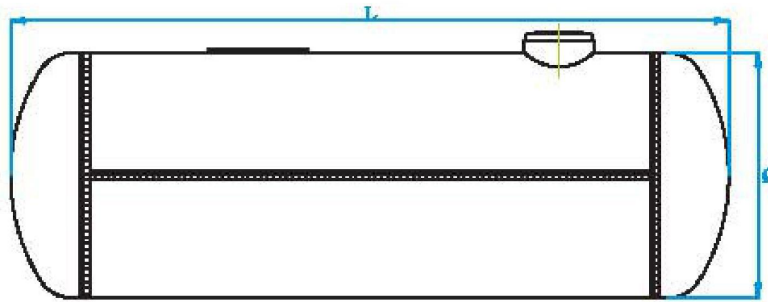
Class 1  
Design and Test Pressure : 3000 kPa  
Working Pressure max. : 2550 kPa  
Sheet Data: DIN EN 10120 P285NB



## PRODUCTS LIST

Product Code	Description	Ø	H	Volume
ENR550U033	ULTRA TOROIDAL TANK	550	180	33
ENR550U037	ULTRA TOROIDAL TANK	550	200	37
ENR550U042	ULTRA TOROIDAL TANK	550	220	42
ENR550U046	ULTRA TOROIDAL TANK	550	240	46
ENR550U053	ULTRA TOROIDAL TANK	550	270	53
ENR570U036	ULTRA TOROIDAL TANK	570	180	36
ENR570U040	ULTRA TOROIDAL TANK	570	200	40
ENR570U046	ULTRA TOROIDAL TANK	570	220	46
ENR570U050	ULTRA TOROIDAL TANK	570	240	50
ENR570U058	ULTRA TOROIDAL TANK	570	270	58
ENR580U037	ULTRA TOROIDAL TANK	580	180	37
ENR580U043	ULTRA TOROIDAL TANK	580	200	43
ENR580U048	ULTRA TOROIDAL TANK	580	220	48
ENR580U054	ULTRA TOROIDAL TANK	580	240	54
ENR580U060	ULTRA TOROIDAL TANK	580	270	60
ENR600U040	ULTRA TOROIDAL TANK	600	180	40
ENR600U046	ULTRA TOROIDAL TANK	600	200	46
ENR600U051	ULTRA TOROIDAL TANK	600	220	51
ENR600U056	ULTRA TOROIDAL TANK	600	240	56
ENR600U065	ULTRA TOROIDAL TANK	600	270	65
ENR630U045	ULTRA TOROIDAL TANK	630	180	45
ENR630U051	ULTRA TOROIDAL TANK	630	200	51
ENR630U057	ULTRA TOROIDAL TANK	630	220	57
ENR630U063	ULTRA TOROIDAL TANK	630	240	63
ENR630U072	ULTRA TOROIDAL TANK	630	270	72
ENR650U048	ULTRA TOROIDAL TANK	650	180	48
ENR650U054	ULTRA TOROIDAL TANK	650	200	54
ENR650U061	ULTRA TOROIDAL TANK	650	220	61
ENR650U067	ULTRA TOROIDAL TANK	650	240	67
ENR650U077	ULTRA TOROIDAL TANK	650	270	77
ENR680U052	ULTRA TOROIDAL TANK	680	180	52
ENR680U060	ULTRA TOROIDAL TANK	680	200	60
ENR680U067	ULTRA TOROIDAL TANK	680	220	67
ENR650U074	ULTRA TOROIDAL TANK	680	240	74
ENR680U085	ULTRA TOROIDAL TANK	680	270	85
ENR720U058	ULTRA TOROIDAL TANK	720	180	58
ENR720U066	ULTRA TOROIDAL TANK	720	200	66
ENR720U074	ULTRA TOROIDAL TANK	720	220	74
ENR720U082	ULTRA TOROIDAL TANK	720	240	82
ENR720U094	ULTRA TOROIDAL TANK	720	270	94

## CYLINDER TANK



### Application

Liquid gas propane-butane mixture storage for admission of petrol engines in passenger cars, commercial and delivery vehicles.

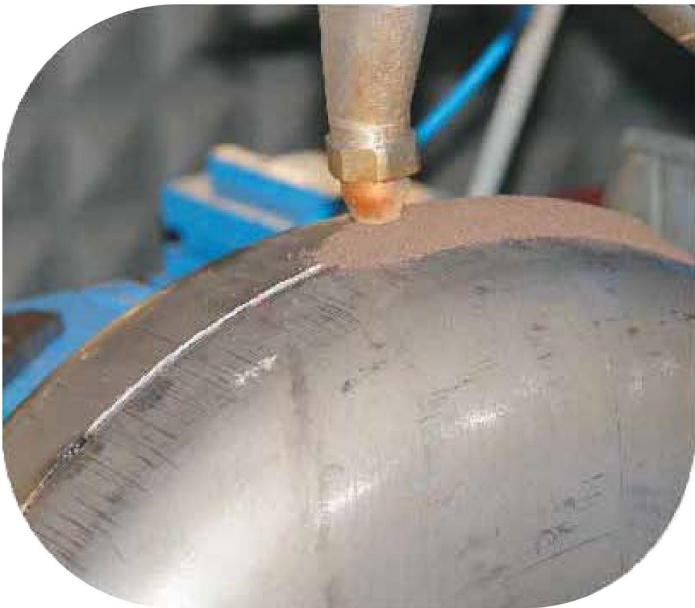
### Technical Data

Class 1  
Design and Test Pressure : 3000 kPa  
Working Pressure max. : 2550 kPa  
Sheet Data: DIN EN 10120 P265NB

## PRODUCTS LIST

Product Code	Description	Ø	H	Volume
ENR244B020	CYLINDER TANK	244	503	20
ENR244B025	CYLINDER TANK	244	615	25
ENR244B030	CYLINDER TANK	244	727	30
ENR244B035	CYLINDER TANK	244	840	35
ENR244B040	CYLINDER TANK	244	950	40
ENR244B045	CYLINDER TANK	244	1052	45
ENR270B036	CYLINDER TANK	270	720	36
ENR270B040	CYLINDER TANK	270	790	40
ENR270B045	CYLINDER TANK	270	885	45
ENR270B050	CYLINDER TANK	270	980	50
ENR270B055	CYLINDER TANK	270	1069	55
ENR270B060	CYLINDER TANK	270	1100	60
ENR300B050	CYLINDER TANK	300	800	50
ENR300B055	CYLINDER TANK	300	835	55
ENR300B060	CYLINDER TANK	300	940	60
ENR300B065	CYLINDER TANK	300	1050	65
ENR300B070	CYLINDER TANK	300	1080	70
ENR315B032	CYLINDER TANK	315	460	32
ENR315B035	CYLINDER TANK	315	498	35
ENR315B040	CYLINDER TANK	315	560	40
ENR315B045	CYLINDER TANK	315	623	45
ENR315B050	CYLINDER TANK	315	690	50
ENR315B060	CYLINDER TANK	315	820	60
ENR315B065	CYLINDER TANK	315	937	65
ENR315B070	CYLINDER TANK	315	1004	70
ENR360B040	CYLINDER TANK	360	480	40
ENR360B050	CYLINDER TANK	360	584	50
ENR360B060	CYLINDER TANK	360	686	60
ENR360B070	CYLINDER TANK	360	786	70
ENR360B080	CYLINDER TANK	360	893	80
ENR360B090	CYLINDER TANK	360	994	90
ENR360B100	CYLINDER TANK	360	1100	100
ENR360B110	CYLINDER TANK	360	1200	110
ENR360B120	CYLINDER TANK	360	1304	120

*PRODUCTION*



*PRODUCTION*



**Energia**<sup>®</sup>  
**italy** *sistemi di autogas*

*Ultimate choice for your Vehicle*

ENERGIA Alliance GmbH.  
Leopoldstrass 244  
80807 Munich/ Germany

Tel. +49 (0)89 / 20 80 39 - 226  
Mail. info @ energiaalliance.com  
[www.energiaitaly.com](http://www.energiaitaly.com)